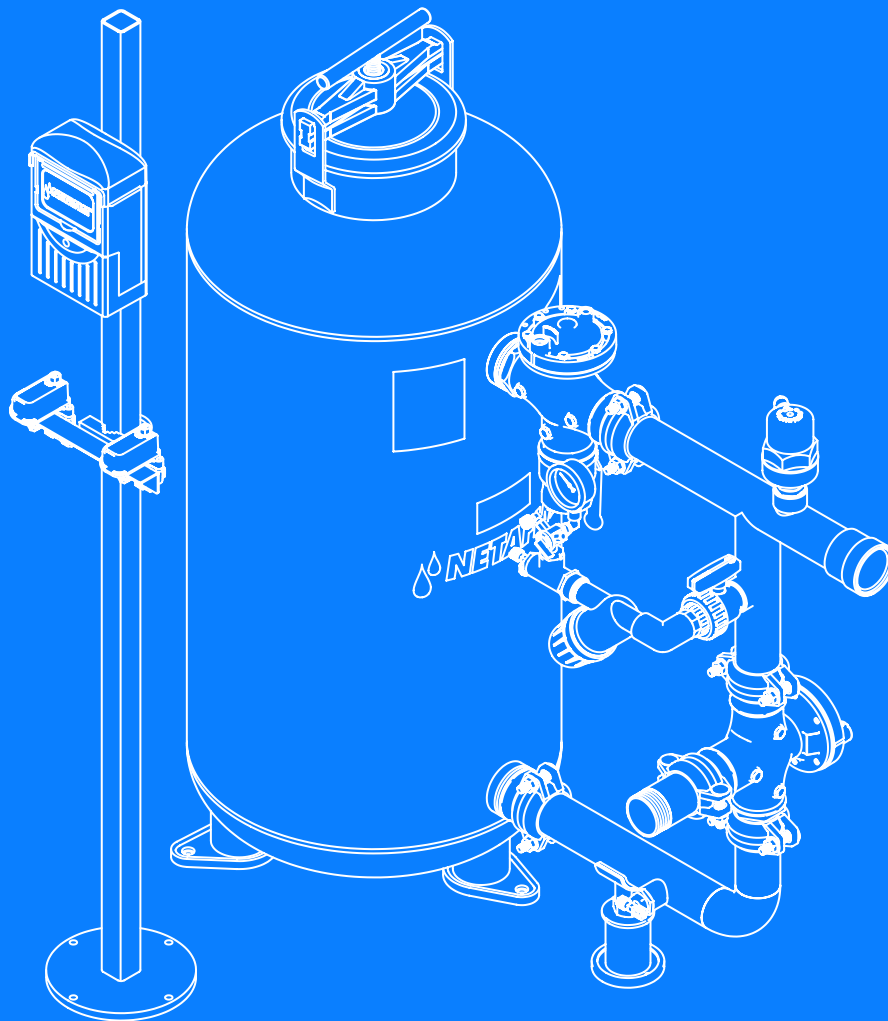


DUAL CHAMBER MEDIA FILTER SINGLE TANK SYSTEM

Assembly Instructions



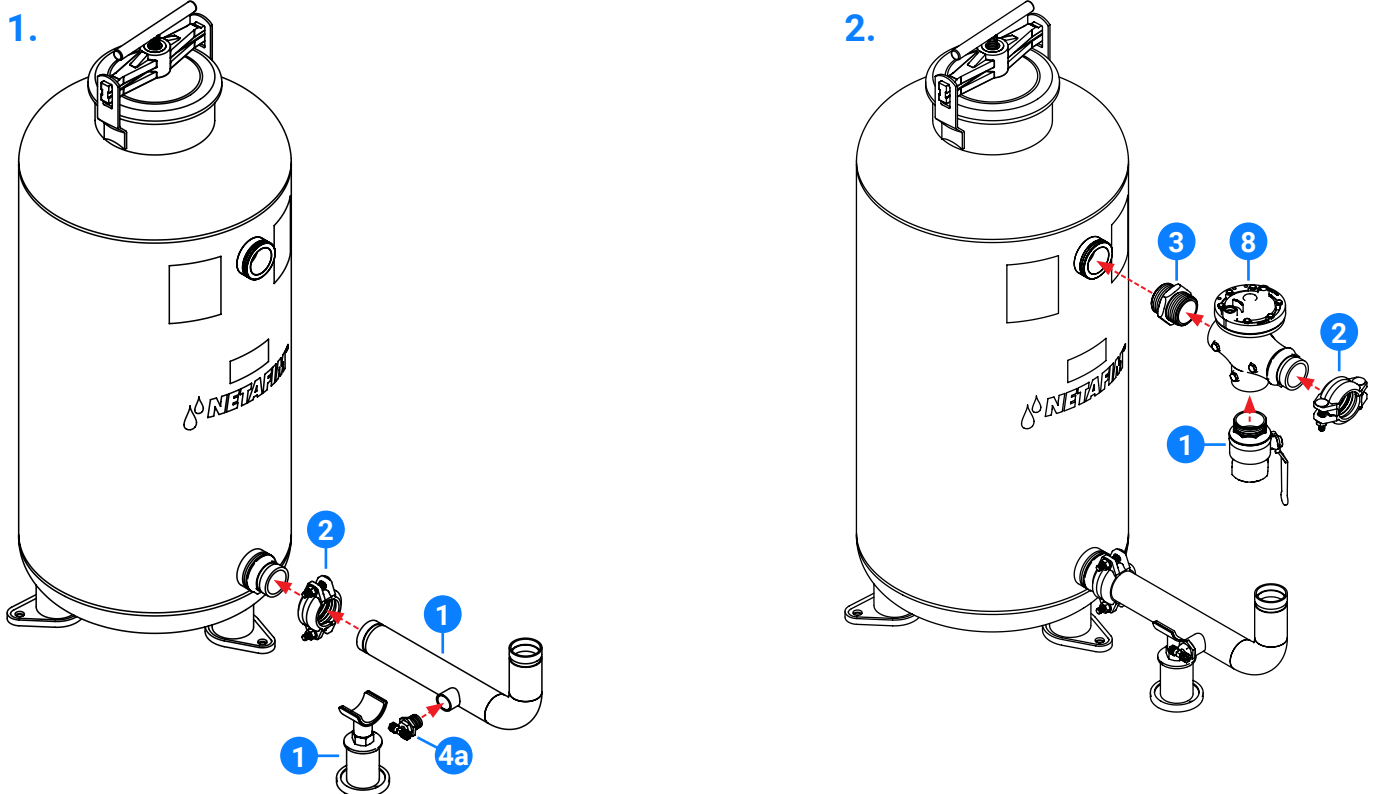
Kit's content

Cat No.	Description	16"	20"	24"
71910-010032	Metal double chamber tank, 16" * 2 (1.5") BSP PN08	1		
71910-010034	Metal double chamber tank, 20" * 2" BSP PN08		1	
71910-010036	Metal double chamber tank, 24" * 2" BSP PN08			1
71911-000023	Manifold + access for 16",20",24" tank	1	1	1
78700-002500	Gravel Basalt No.1, 25 Kg.	4	5	8
71910-009042	Skid for 1 tank 20"/24" double chamber (Optional)	N/A	1	1

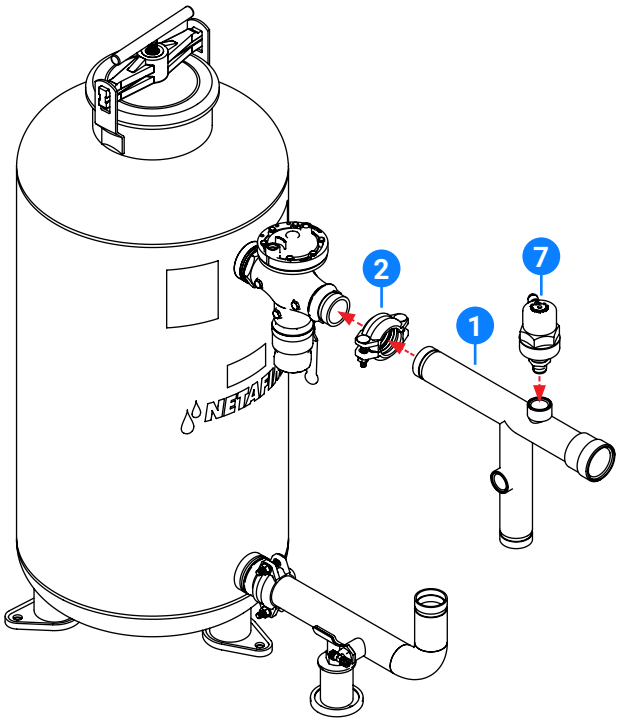
Content of Manifold + access for 16",20",24" tank kit. Cat No.: 71911-000023

#	Cat No.	Description	Qty.
1	71940-000120	Manifold kit: Manifolds, support leg, controller stand, 2" ball valve	1
2	71910-002500	Victaulic coupling 2" two bolts	5
3	78200-016500	Galvanized. short nipple 2"	1
4	37090-009600	Control kit	1
5	73240-003175	Controller F1-10 DC-2	1
6	35500-017560	Aquative bracket for 1-tank system	1
7	32600-002000	Netafim air valve 1" BSP	1
8	71600-000088	Valve D 51 B.F. metal 2*2 angle flow BSP 1 Victaulic	1
9	71600-000089	Valve D 52 B.F. metal 2*2 angle flow BSP 3 Victaulic	1
10	40000-012500	Control tube 8mm, 100 meters	1

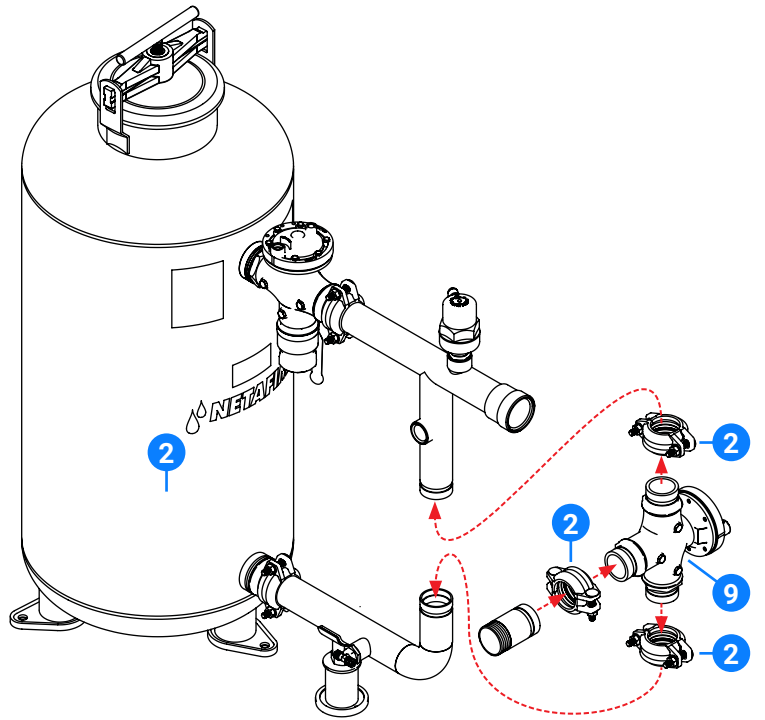
Assembly



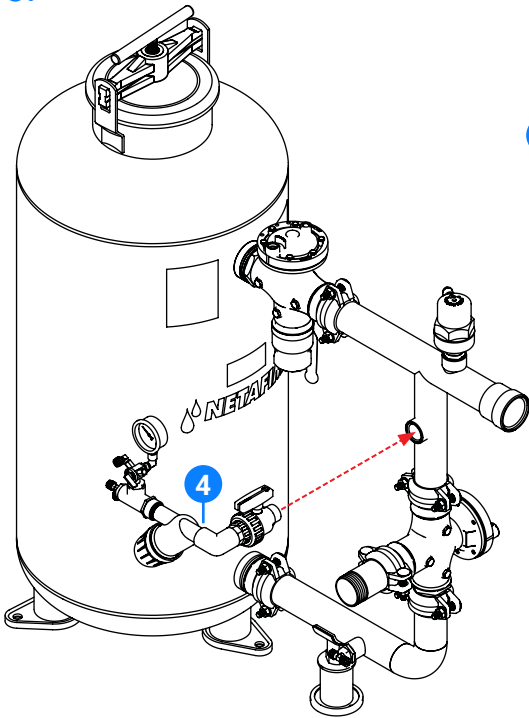
3.



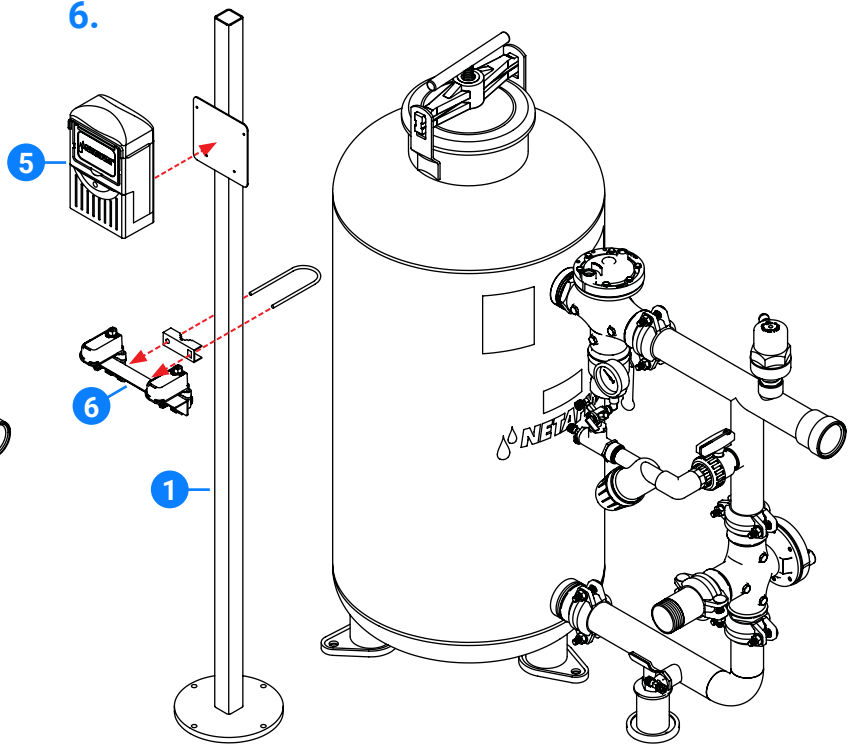
4.



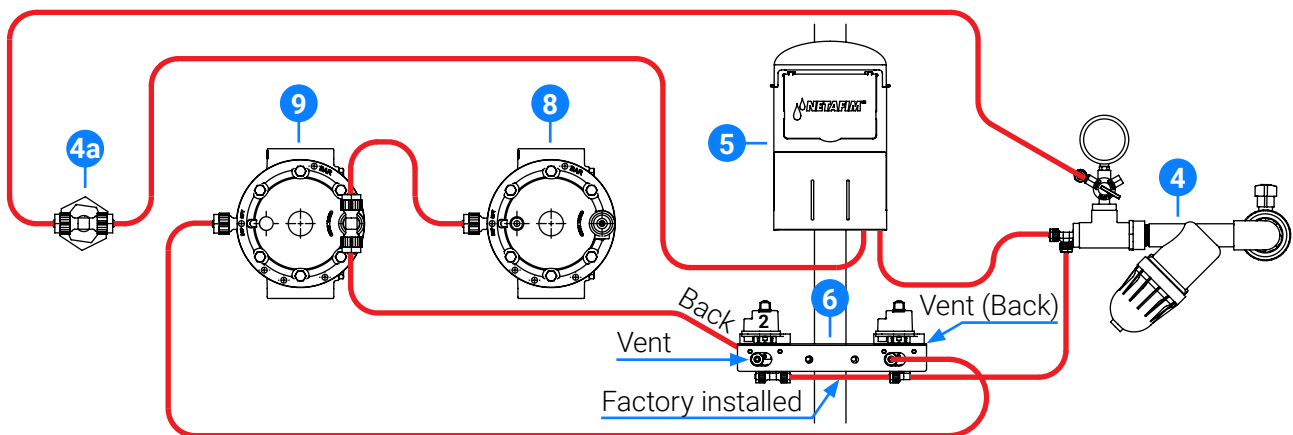
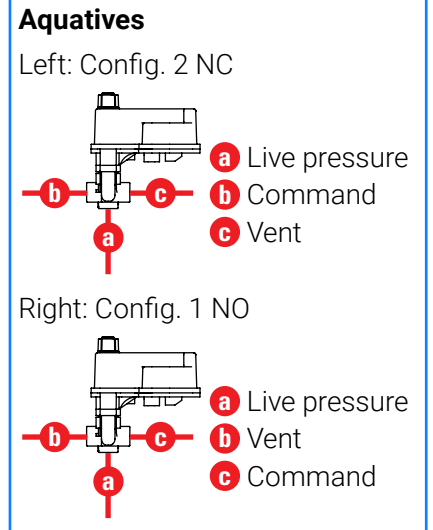
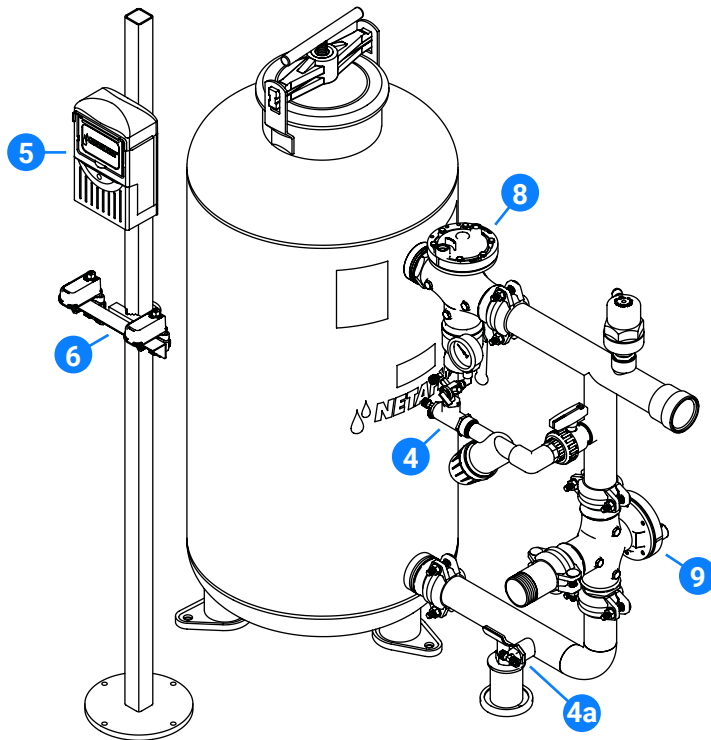
5.



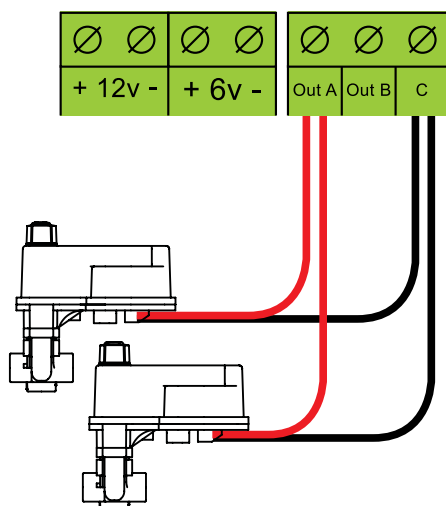
6.



7. Connection of the contol tubes



8. Electrical connection of the Aquatives to the controller



Scan for
the extended version
of the manual

