

Butterfly Valves

Simple, light and reliable for installation wherever there is a need to cut the flow passage in pipes and equipment.



Long-lasting performance



High durability



Versatility

/ Benefits & Features

- **Long-lasting performance** Netafim manual valves are manufactured using materials of the highest quality, always complying with the standards for hydraulically operated devices
- **High durability** The quality of the Netafim butterfly valve gives it great resistance over time. The replaceable seat guarantees bidirectional watertightness, easy maintenance due to its innovative design and longer life of the valve
- **Versatility** Different disc material options: ductile iron, stainless steel or aluminum bronze

/ Specifications & Recommendations

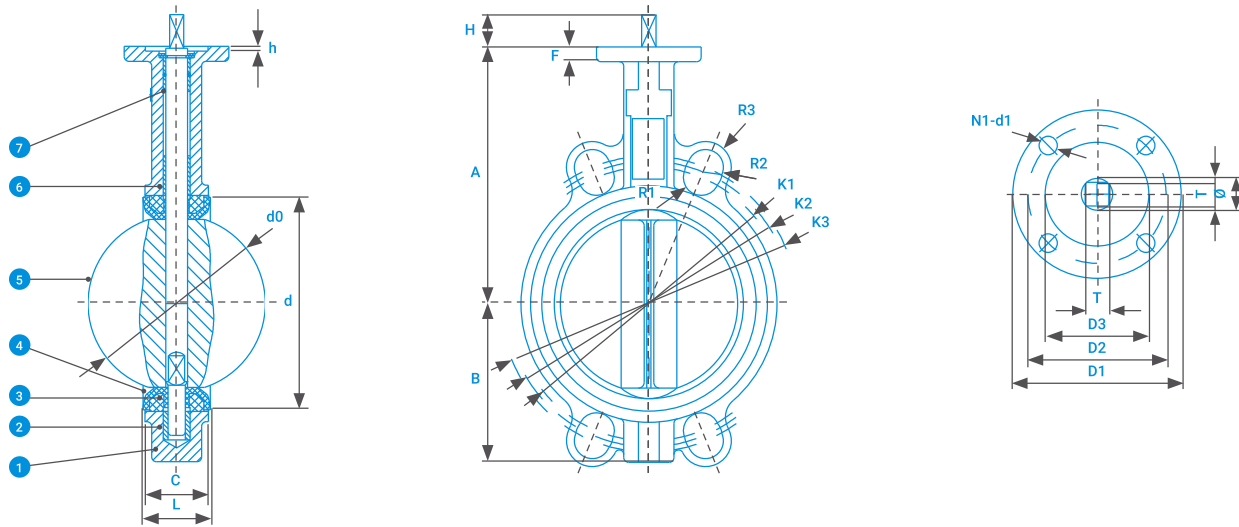
- **Type** – Concentric
- **Pressure Grade** – PN16
- **Working Pressure** – 16bar
- **Available Diameters** – DN50 to DN600
- **Working Temperature** – 0°C to 80°C
- **Connection** – Wafer
- **Coating** – Fusion bonded epoxy 250µm

* Other materials and specifications are available upon request.

→ Technical Dimensions

For Body

dn	A	B	h	d0	c	l	d	k1	k2	k3	r1	r2	r3	f	d1	d2	d3	h	4-d1	Ø	t
50	125	73	28	52.6	43	46	73.3	120.6	125	124	10.5	-	10.5	10	65	50	35	4	7	12.6	9
65	136	82	28	64.3	46	49	86.0	139.7	145	145	10.5	-	10.5	10	65	50	35	4	7	12.6	9
80	142	91	28	78.8	46	49	100.9	152.4	160	160	10.5	-	10.5	10	65	50	35	4	7	12.6	9
100	163	107	28	104	52	55	132	180	180	190.5	10.5	-	10.5	12	90	70	55	4	10	15.77	11
125	176	127	28	123.3	56	59	156	210	210	215.9	12.2	-	12.2	12	90	70	55	4	10	18.92	14
150	197	143	28	155.7	56	59	185.4	240	240	241.3	12.2	-	12.2	12	90	70	55	4	10	18.92	14
200	230	170	38	202.4	60	64	235.2	295	295	298.5	12.2	12.5	12.2	15	125	102	70	4	12	22.1	17
250	260	204	38	250.4	68	72	289.4	350	355	361.9	13.7	15	13.7	15	125	102	70	4	12	28.45	22
300	292	240	38	301.5	78	82	341.2	400	410	431.8	13.7	15	13.7	15	125	102	70	4	12	31.6	22



→ Material Specifications

For Body Type A*

#	Component	Material	Specification
1	Body	Ductile iron	GGG40
2	Shaft	Stainless steel	AISI 420
3	Disc	Ductile iron	AISI 316
4	Seat	EPDM	EN681
5	Bearing	PFTE	Commercial
6	Ring seal	EPDM	EN681
7	Indicator plate	Stainless steel	AISI 420

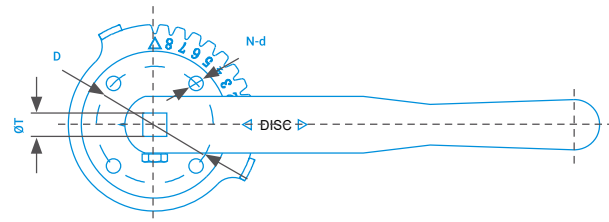
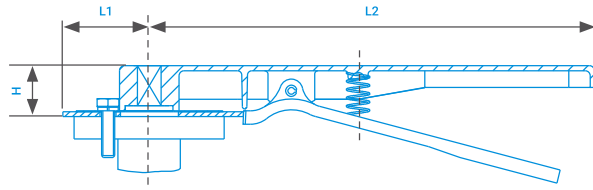
For Body Type B*

#	Component	Material	Specification
1	Body	Ductile iron	GGG40
2	Shaft	Stainless steel	AISI 420
3	Disc	Stainless steel	AISI 316
4	Seat	EPDM	EN681
5	Bearing	PFTE	Commercial
6	Ring seal	EPDM	EN681
7	Indicator plate	Stainless steel	AISI 420

* For butterfly valves up to 300mm

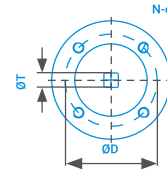
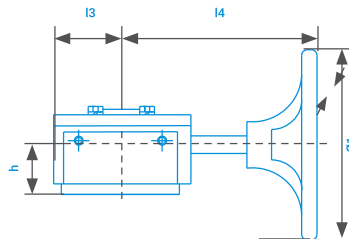
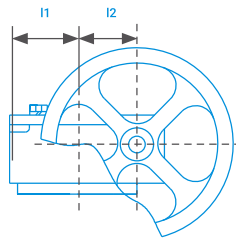
→ Technical Dimensions

For Lever



dn	h	l1	l2	d	N-d	ØT
50	28	52	267	50	4-7	9
65	28	52	267	50	4-7	9
80	28	52	267	50	4-7	9
100	28	52	267	70	4-10	11
125	28	52	267	70	4-10	14
150	28	52	267	70	4-10	14
200	38	75	359	102	4-12	17
250	38	75	359	102	4-12	22
300	38	75	359	102	4-12	22

For Gearbox



dn	h	l1	l2	l3	l4	Ø1	d1	N-d	ØT
50	35	51	43	51	151	154	50	4-m6	9
65	35	51	43	51	151	145	50	4-m6	9
80	35	51	43	51	151	145	50	4-m6	9
100	35	51	43	51	151	145	70	4-m8	11
125	35	51	43	51	151	145	70	4-m8	14
150	35	51	43	51	151	145	70	4-m8	14
200	42	72	65	72	210	285	102	4-m10	17
250	42	72	65	72	210	285	102	4-m10	22
300	45	94	79	94	190	285	102	4-m10	22

→ Catalog Numbers

For Type A

Description	Catalog Number
GAER BUTTERFLY VALVE 3" LEVER OPERATED	71660-000950
GAER BUTTERFLY VALVE 4" LEVER OPERATED	71660-000951
GAER BUTTERFLY VALVE 6" LEVER OPERATED	71660-000952
GAER BUTTERFLY VALVE 8" LEVER OPERATED	71660-000953
GAER BUTTERFLY VALVE 10" LEVER OPERATED	71660-000954
GAER BUTTERFLY VALVE 12" LEVER OPERATED	71660-007400
GAER BUTTERFLY VALVE 3" GEAR OPERATED	71660-000940
GAER BUTTERFLY VALVE 4" GEAR OPERATED	71660-000941
GAER BUTTERFLY VALVE 6" GEAR OPERATED	71660-000942
GAER BUTTERFLY VALVE 8" GEAR OPERATED	71660-000943
GAER BUTTERFLY VALVE 10" GEAR OPERATED	71660-000944
GAER BUTTERFLY VALVE 12" GEAR OPERATED	71660-000945

For Type B

Description	Catalog Number
GAER BUTTERFLY VALVE 2" LEVER - SST DISC	71660-000970
GAER BUTTERFLY VALVE 3" LEVER - SST DISC	71660-000971
GAER BUTTERFLY VALVE 4" LEVER - SST DISC	71660-000972
GAER BUTTERFLY VALVE 6" LEVER - SST DISC	71660-000973
GAER BUTTERFLY VALVE 8" LEVER - SST DISC	71660-000974
GAER BUTTERFLY VALVE 10" LEVER - SST DISC	71660-000975
GAER BUTTERFLY VALVE 12" LEVER - SST DISC	71660-000976
GAER BUTTERFLY VALVE 2" GEAR - SST DISC	71660-000980
GAER BUTTERFLY VALVE 3" GEAR - SST DISC	71660-000981
GAER BUTTERFLY VALVE 4" GEAR - SST DISC	71660-000982
GAER BUTTERFLY VALVE 6" GEAR - SST DISC	71660-000983
GAER BUTTERFLY VALVE 8" GEAR - SST DISC	71660-000984
GAER BUTTERFLY VALVE 10" GEAR - SST DISC	71660-000985

* Additional diameters, materials and specifications are available upon request.