

Manual Disc Filters

¾", 1", 1½"

Manual disc filters engineered for efficient operation year after year. Plastic rings stack together creating a cylindrical filter element. During filtration, the rings are compressed together effectively filtering the water and protecting the system from clogging.



High efficiency



Durable materials

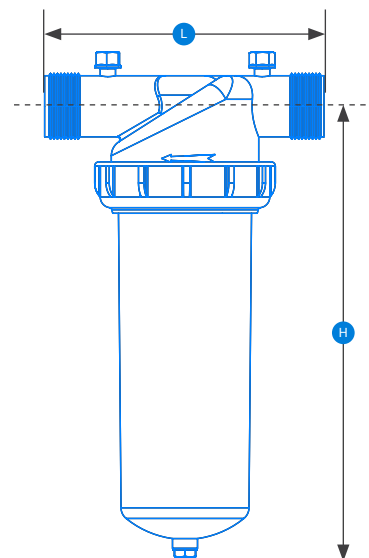
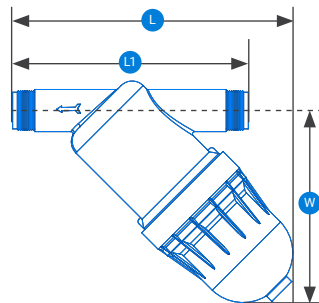


Ease of maintenance

/ Benefits & Features

- Innovative filter design Captures and retains large amounts of solids
- Easy Operation Does not require special tools
- High resistance Excellent corrosion resistance
- Made to last Long life span
- Sturdy Polyamide housing - resist to harsh environmental conditions (¾" PBT housing)

→ Technical Dimensions



NOTE: Technical dimension sketches are not in proportional view

→ Technical Data



3/4" W/O Valve, 3/4" Filtap (with Valve)

	3/4" w/o Valve
Max. Pressure	10bar
Flow Rate: 400-100micron (40-140mesh)	4m³/h
Filtration Surface Area	160cm²
Filtration Volume	95cm³
L - Distance Between Connections	151mm / 5.94"
L1 - Total Length	179mm / 7.04"
H - Height	122mm / 4.81"
Weight	0.37kg



1", 1" Super

	1"	1" Super
Max. Pressure	10bar	10bar
Flow Rate: 400-100micron (40-140mesh)	6m³/h	8m³/h
55micron	4m³/h	6m³/h
Filtration Surface Area	306cm²	500cm²
Filtration Volume	360cm³	592cm³
L - Distance Between Connections	158mm / 6.22"	158mm / 6.22"
H - Height	212mm / 8.35"	317mm / 12.49"
Weight	1.1kg	1.4kg



1 1/2", 1 1/2" Super

	1 1/2"	1 1/2" Super
Max. Pressure	10bar	10bar
Flow Rate: 400-100micron (40-140mesh)	8m³/h	12m³/h
55micron	5m³/h	8m³/h
Filtration Surface Area	306cm²	500cm²
Filtration Volume	360cm³	592cm³
L - Distance Between Connections	201mm / 7.91"	201mm / 7.91"
H - Height	219mm / 8.63"	324mm / 12.77"
Weight	1.3kg	1.5kg

Manual Disc Filters

2" Dual Lite, 3" Twin Lite

Manual disc filters engineered for efficient operation year after year. Plastic rings stack together creating a cylindrical filter element. During filtration, the rings are compressed together effectively filtering the water and protecting the system from clogging.



High efficiency



Durable materials

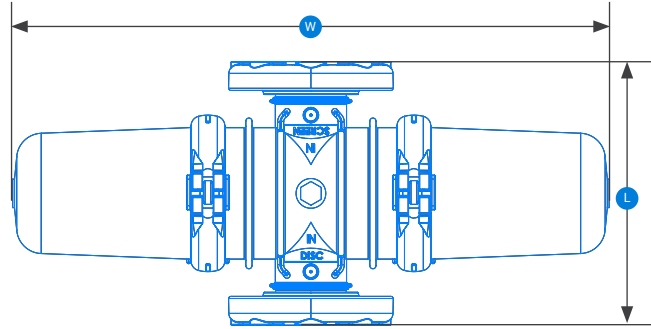
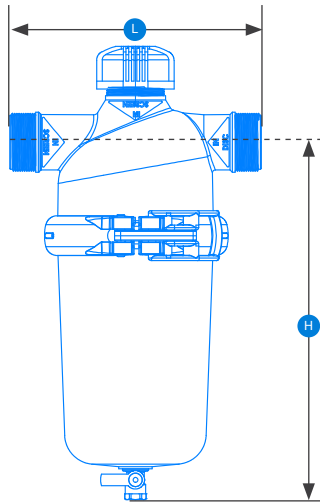


Ease of maintenance

/ Benefits & Features

- **Innovative filter design** Captures and retains large amounts of solids
- **Straightforward** Operation is easy and requires no special tools
- **Non-corrosive** Excellent corrosion resistance
- **Made to last** Long life span
- **Dual or Twin** 2" Dual filter - Angle or In Line outlet options for maximum flexibility
3" Twin filter - Largest filtration area of comparable products
- **Polyamide housing** Resistant to harsh environmental conditions (3/4" PBT housing)

→ Technical Dimesions



NOTE: Technical dimension sktches are not in proportional view

→ Technical Data

2" Dual Light



Max. Pressure	8bar
Flow Rate: 400-100micron (40-140mesh)	25m ³ /h
70micron	20m ³ /h
55micron	17m ³ /h
20micron	8m ³ /h
Filtration Surface Area	950cm ²
Filtration Volume	1,225cm ³
L - Distnce Between Connections	260mm / 10.24"
H - Height	362mm / 14.2"
Weight	3kg

3" Twin Lite



Max. Pressure	8bar
Flow Rate: 400-100micron (40-140mesh)	50m ³ /h
70micron	40m ³ /h
55micron	34m ³ /h
20micron	16m ³ /h
Filtration Surface Area	1,900cm ²
Filtration Volume	2,450cm ³
L - Distnce Between Connections	320mm / 12.6"
W - Filter Width	724mm / 28.5"
Weight (Flanged)	5.9kg

* Measure are for reference only

Manual Disc Filters

2", 3" LEADER

Manual disc filters engineered for efficient operation year after year. Plastic rings stack together creating a cylindrical filter element. During filtration, the rings are compressed together effectively filtering the water and protecting the system from clogging.



High efficiency



Durable materials

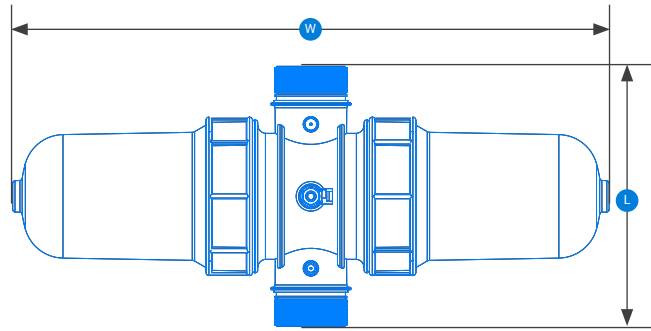
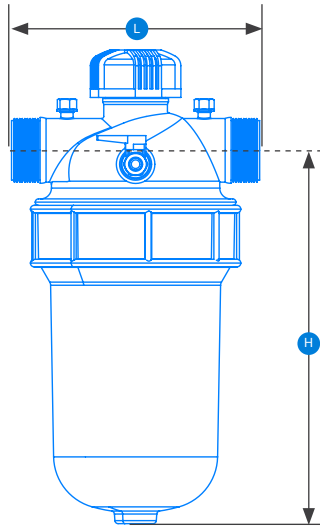


Ease of maintenance

/ Benefits & Features

- Innovative filter design Captures and retains large amounts of solids
- Easy to operate Requires no special tools
- Highly resistant Excellent corrosion resistance
- Durable Long life span
- Straightforward Easy to open, clean and close
- Fits with most nutrients Suitable for all commonly used fertilizers and acids
- high and low pH 2-13 Suitable for sea and brackish water
- Polypropylene housing Excellent chemical resistance

→ Technical Dimesions



NOTE: Technical dimension sketches are not in proportional view

→ Technical Data

2" Leader



Max. Pressure	10bar
Flow Rate: 400-100micron (40-140mesh)	25m ³ /h
70micron	20m ³ /h
55micron	17m ³ /h
20micron	8m ³ /h
Filtration Surface Area	950cm ²
Filtration Volume	1,225cm ³
L - Distance Between Connections	230mm / 9.06"
H - Height	346mm / 13.62"
Weight	2kg

3" Leader



Max. Pressure	10bar
Flow Rate: 400-100micron (40-140mesh)	50m ³ /h
70micron	40m ³ /h
55micron	34m ³ /h
20micron	16m ³ /h
Filtration Surface Area	1,900cm ²
Filtration Volume	2,450cm ³
L - Distance Between Connection	320mm / 12.6"
W - Width	734mm / 28.9"
Distance Between End Connections	A. 260mm B.76mm
Weight (Flanged)	8kg
Weight (Victaulic, Threaded)	6.3kg

* Measure are for reference only

Manual Disc Filters

2", 3"

Manual disc filters engineered for efficient operation year after year. Plastic rings stack together creating a cylindrical filter element. During filtration, the rings are compressed together effectively filtering the water and protecting the system from clogging.



High efficiency



Durable materials

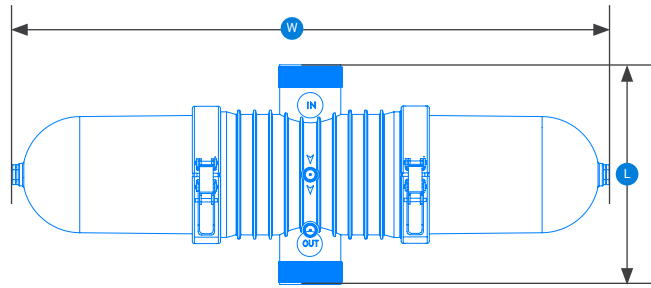
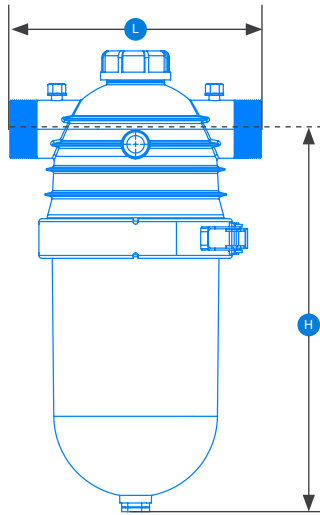


Ease of maintenance

/ Benefits & Features

- **Innovative filter design** Captures and retains large amounts of solids
- **Straightforward** Operation is easy and requires no special tools
- **Non-corrosive** Excellent corrosion resistance
- **Made to last** Long life span
- **Dual or Twin filter** 2" Dual filter - Angle or In Line outlet options for maximum flexibility
3" Twin filter - Largest filtration area of comparable products
- **Polyamide housing** Resistant to harsh environmental conditions environmental conditions
($\frac{3}{4}$ " PBT housing)

→ Technical Dimesions



NOTE: Technical dimension sktches are not in proportional view

→ Technical Data



2" Dual

Max. Pressure	10bar
Flow Rate: 400-100micron (40-140mesh)	25m ³ /h
70micron	20m ³ /h
55micron	17m ³ /h
20micron	8m ³ /h
Filtration Surface Area	950cm ²
Filtration Volume	1,225cm ³
L - Distance Between Connections	260mm / 10.24"
H - Height	395mm / 15.57"
Weight	5kg

3" Twin



Max. Pressure	10bar
Flow Rate: 400-100micron (40-140mesh)	50m ³ /h
70micron	40m ³ /h
55micron	34m ³ /h
20micron	16m ³ /h
Filtration Surface Area	1,900cm ²
Filtration Volume	2,450cm ³
L - Distance Between End Connections	320mm / 12.6"
W - Total Width	870mm / 34.25"
Weight (Flanged)	13.95kg
Weight (Victaulic, Threaded)	9.85kg

Manual Disc Filters

3", 4" SUPER ANGLE

Manual disc filters engineered for efficient operation year after year. Plastic rings stack together creating a cylindrical filter element. During filtration, the rings are compressed together effectively filtering the water and protecting the system from clogging.



High efficiency



Durable materials

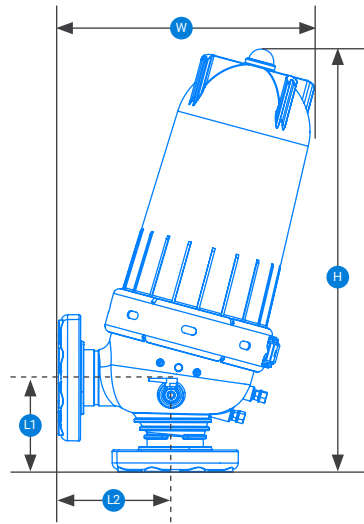


Ease of maintenance

/ Benefits & Features

- Innovative filter design Captures and retains large amounts of solids
- Easy to operate Requires no special tools
- Highly resistant Excellent corrosion resistance
- Durable Long life span
- Straightforward Easy to open, clean and close
- Fits with most nutrients Suitable for all commonly used fertilizers and acids
- high and low pH 2-13 Suitable for sea and brackish water
- Polypropylene housing Excellent chemical resistance

→ Technical Dimensions



NOTE: Technical dimension sketches are not in proportional view

→ Technical Data



3" Super Angle

Max. Pressure	10bar
Flow Rate: 400-100micron (40-140mesh)	50m ³ /h
55micron	35m ³ /h
20micron	18m ³ /h
Filtration Surface Area	1,852cm ²
Filtration Volume	2,223cm ³
H - Filter Height	669mm / 26.36"
W - Filter Width	397mm / 15.65"
L1	149mm / 5.87"
L2	158mm / 7.28"
Weight (Flanged)	12.25kg
Weight (Victaulic, Threaded)	11.05kg



4" Super Angle

Max. Pressure	10bar
Flow Rate: 400-100micron (40-140mesh)	60m ³ /h
55micron	40m ³ /h
20micron	20m ³ /h
Filtration Surface Area	1,852cm ²
Filtration Volume	2,223cm ³
H - Filter Height	662mm / 26.07"
W - Filter Width	397mm / 15.65"
L1	145mm / 5.71"
L2	185mm / 7.28"
Weight (Flanged)	13.50kg
Weight (Victaulic, Threaded)	11.40kg

* Manifold construction material options: Polypropylene, Polyester Coated, Stainless Steel
 * Measurements are for reference only

Manual Disc Filters

4", 6" SUPER LEADER

Manual disc filters engineered for efficient operation year after year. Plastic rings stack together creating a cylindrical filter element. During filtration, the rings are compressed together effectively filtering the water and protecting the system from clogging.



High efficiency



Durable materials

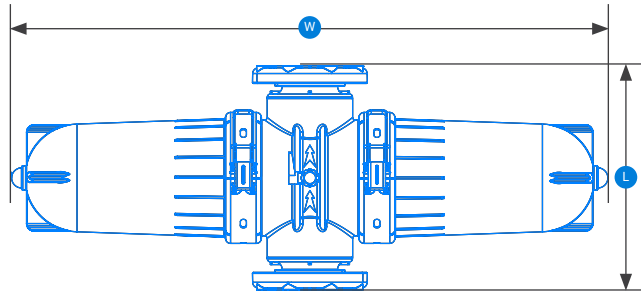


Ease of maintenance

/ Benefits & Features

- Innovative filter design Captures and retains large amounts of solids
- Easy to operate Requires no special tools
- Highly resistant Excellent corrosion resistance
- Durable Long life span
- Straightforward Easy to open, clean and close
- Fits with most nutrients Suitable for all commonly used fertilizers and acids
- high and low pH 2-13 Suitable for sea and brackish water
- Polypropylene housing Excellent chemical resistance

→ Technical Dimesions



NOTE: Technical dimension sketches are not in proportional view

→ Technical Data

4" Super Leader



Max. Pressure	10bar
Flow Rate: 400-100micron (40-140mesh)	110m ³ /h
Filtration Surface Area	3,704cm ²
Filtration Volume	4,446cm ³
L - Distance Between Connections	445mm / 17.52"
W - Filter Width	1184m / 46.61"
Weight	24.65kg

6" Super Leader



Max. Pressure	10bar
Flow Rate: 400-100micron (40-140mesh)	160m ³ /h
Filtration Surface Area	3,704cm ²
Filtration Volume	4,446cm ³
L - Distance Between Connections	415mm / 16.34"
W - Filter Width	1,184mm / 46.61"
Weight	26.40kg