

Swing Check Valves

In-line non return valve to stop fluids flowing back through the system.



Maximum
reliability



High corrosion
& UV resistance



High
durability

/ Benefits & Features

- Saves operation costs
 - The check valve is designed for free flow of water without interference and with minimal head loss
 - Made from PVC-U corrosive-resistant composite materials
- Saves labor costs and multiple investments in maintenance
 - The valve is made from composite materials to withstand highly abrasive conditions and to ensure long-term service also in corrosive liquid environments
 - The valve connects between flanges and is supplied with seals for flange to flange installation
 - Light weight

/ Specifications & Recommendations

- Straight throughflow with minimal head loss
- Slow operation pavement water hammer
- Operational up to 6bar
- Minimum return pressure: 0.2bar (to keep the valve closed)

→ Packaging Data

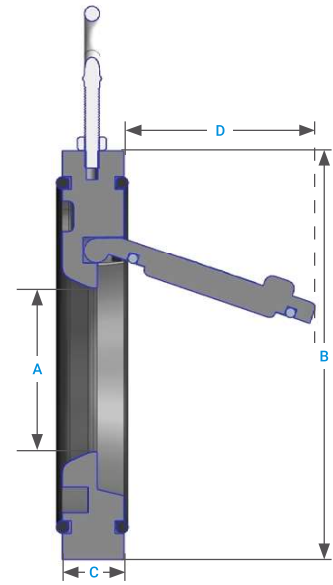
Model	Quantity P/Box (unit)	Box Sizes (cm x cm x cm)	Box Weight (kg)	Boxes P/Pallet
3"	40	30.0 x 30.0 x 31.5	17.2	27
4"	20	34.0 x 34.0 x 18.0	11.5	458

→ Material Specification

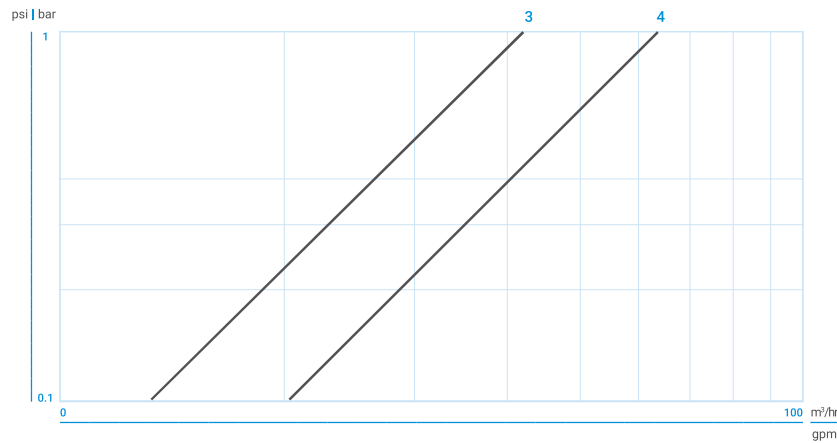
#	Part Name	Material	Qty.
1	Body	PVC-U	1
2	Flap	PVC-U	1
3	Cap	PVC-U	2
4	Body O-ring	EPDM	2
5	Flap O-ring	EPDM	1
6	H screw	Plated MS	1

→ Technical Dimensions

Nom Size	A (mm)	B (mm)	C (mm)	D (mm)
3"	54.3	129.0	21.0	68.0
4"	64.0	159.0	25.0	78.0



→ Head Loss



→ Catalog Numbers

Product Illustration	Product Description	Catalog Number
	NMV PVC S.CHECK VLV 3" BTW 2 FLNG	77454-000200
	NMV PVC S.CHECK VLV 4" BTW 2 FLNG	77454-000201