

Angle Seat Valves

ACTUATED PISTON VALVES

The piston actuator provides a linear motion to lift the seal off its seat.



Superb quality



High durability



Maximum reliability

/ Benefits & Features

- **Excellent flow rate** The flow is minimally impeded in the open position, resulting in an excellent flow rate and a low pressure loss
- **Sturdy** Solid design
- **Multi-turn linear motion throttling valve**
- **High durability** Engineering plastic raw material used for strength and durability
- **Easy maintenance** Easy to open and clean when used in underground valve box
- **Smooth movement** using throttling wheel, makes the user operate the valve easily
- **No leakage** within operating pressure range, when valve completely shut off
Direction of flow mentioned
- **Versatility** Can be installed in horizontal and vertical lines
- **No vibration** Not water hammering when operated
- **Less turbulence** during throttling
- **High durability** Chemical / Corrosion-resistant and UV-protected

Specifications & Recommendations

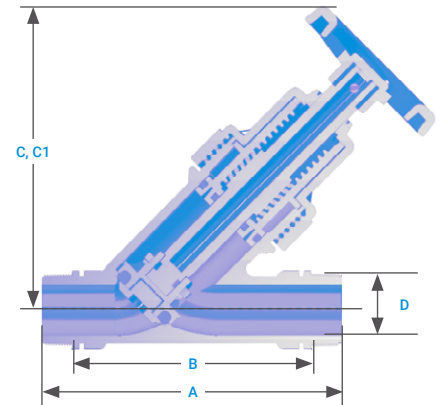
- Operating Pressure Range – up to 10bars (PN10)
- High-strength polypropylene
- 2" BSP or NPT male threaded
- Manual, hand operated
- Recommended Flow – up to 50m³/h
- High-quality nitrile seal

→ Technical Dimensions

Inlet - Threaded Male / Outlet Connector - Threaded Male

| Size | Nom | BSP (TPI) | NPT (TPI) | A (mm) | B (mm) | C* (mm) | C1** (mm) |
|------|-----|-----------|-----------|--------|--------|---------|-----------|
| 2" | | 11.00 | 11.50 | 252.0 | 200.0 | 254.0 | 292.0 |

* When valve is fully closed
 ** When valve is fully opened



→ Packaging Data

| Model | Quantity Per Box (unit) | Box Sizes (cm x cm x cm) | Box Weight (kg) | Boxes Per Pallet |
|-------|-------------------------|--------------------------|-----------------|------------------|
| 2" | 2 | 39.5 x 36.5 x 14.5 | 2.8 | 63 |

→ Material Specifications

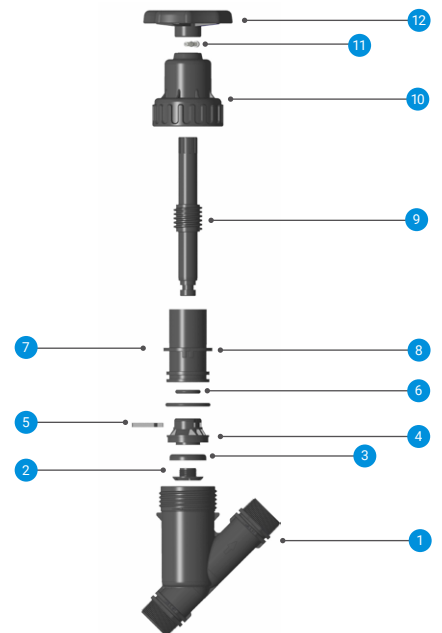
Standard Version

| # | Part Name | Material | Qty. |
|----|-------------------------------|----------|------|
| 1 | Body | PP | 1 |
| 2 | Seal cup lock | PP | 1 |
| 3 | Seal | NBR | 1 |
| 4 | Seal cup | PP | 1 |
| 5 | Lock clip | PP | 1 |
| 6 | Stem housing O-ring (outer) | NBR | 1 |
| 7 | Stem housing O-ring (inner) | NBR | 1 |
| 8 | Stem housing | PP | 1 |
| 9 | Shaft | PP | 1 |
| 10 | Cap | PP | 1 |
| 11 | Lock pin | PP | 1 |
| 12 | Throttle wheel (purple color) | PP | 1 |

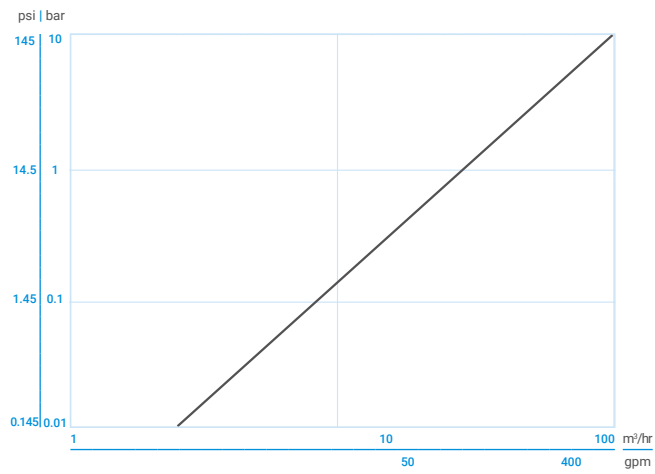
"Viton" Version

| # | Part Name | Material | Qty. |
|----|-------------------------------|----------|------|
| 1 | Body | PP | 1 |
| 2 | Seal cup lock | PP | 1 |
| 3 | Seal | VITON | 1 |
| 4 | Seal cup | PP | 1 |
| 5 | Lock clip | PP | 1 |
| 6 | Stem housing O-ring (outer) | VITON | 1 |
| 7 | Stem housing O-ring (inner) | VITON | 1 |
| 8 | Stem housing | PP | 1 |
| 9 | Shaft | PP | 1 |
| 10 | Cap | PP | 1 |
| 11 | Lock pin | PP | 1 |
| 12 | Throttle wheel (purple color) | PP | 1 |


PP = Polypropylene



→ Head Loss



→ Catalog Numbers

| Product Illustration | Product Description | Catalog Number |
|---|------------------------------------|----------------|
|  | NMV PP ANGLE SEAT "Y" 2" BSP | 77457-000100 |
| | NMV PP ANGLE SEAT "Y" 2" NPT | 77457-000101 |
|  | NMV PP ANGLE SEAT "Y" 2" BSP VITON | 77457-000102 |
| | NMV PP ANGLE SEAT "Y" 2" NPT VITON | 77457-000103 |

* Additional diameters are available upon request