

Check Valves

Designed for use in distribution of fluids such as water, and neutral fluids in a wide range of temperatures and working conditions.



Maximum
reliability



Resilient



High
durability



Swing



Double Flap



Foot

/ Benefits & Features

→ Double flap check valve

The discs are opened by the pressure of the circulating fluid, and let the fluid pass in the required direction. When the flow is stopped, the valve shuts off rapidly thanks to a closing spring, thus preventing reverse flow

→ Swing check valve

Suited for work with wastewater, dirty water or water with high concentrations of suspended solids. Its shut-off system is free of possible obstructions and requires minimum pressure both for opening and closing

→ Foot check valve

The ideal solution to prevent emptying of the suction lines in pumps. Its design and manufacture guarantee hermetic closing. The stainless steel strainer prevents entry of solid particles into the pipe

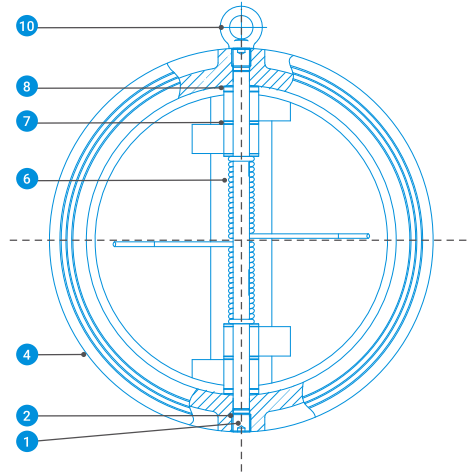
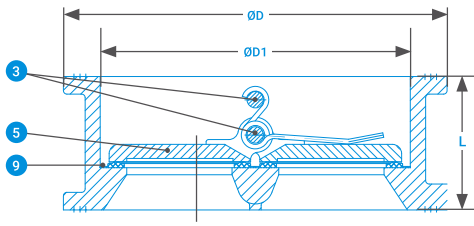
/ Specifications & Recommendations

- Type – Resilient swing
- Pressure Grade – PN16
- Working Pressure – 16 bar
- Available Diameters – DN50 to DN600
- Working Temperature – 0°C to 80°C
- Min. Closing Pressure – 1 bar (for double flap & swing), 0.3 bar (for foot)
- Coating – Fusion bonded epoxy 250µm

* Other materials and specifications on request.

→ Technical Dimensions

For Double Flap



DN	L	øD1	øD
50 (2")	43	65	103
65 (2.5")	46	80	123
80 (3")	64	94	129
100 (4")	64	117	157
125 (5")	70	145	192
150 (6")	76	170	218
200 (8")	89	224	268
250 (10")	114	265	328
300 (12")	114	310	375
350 (14")	127	360	438
400 (16")	140	410	489
450 (18")	152	450	537
500 (20")	152	505	592
600 (24")	178	624	694

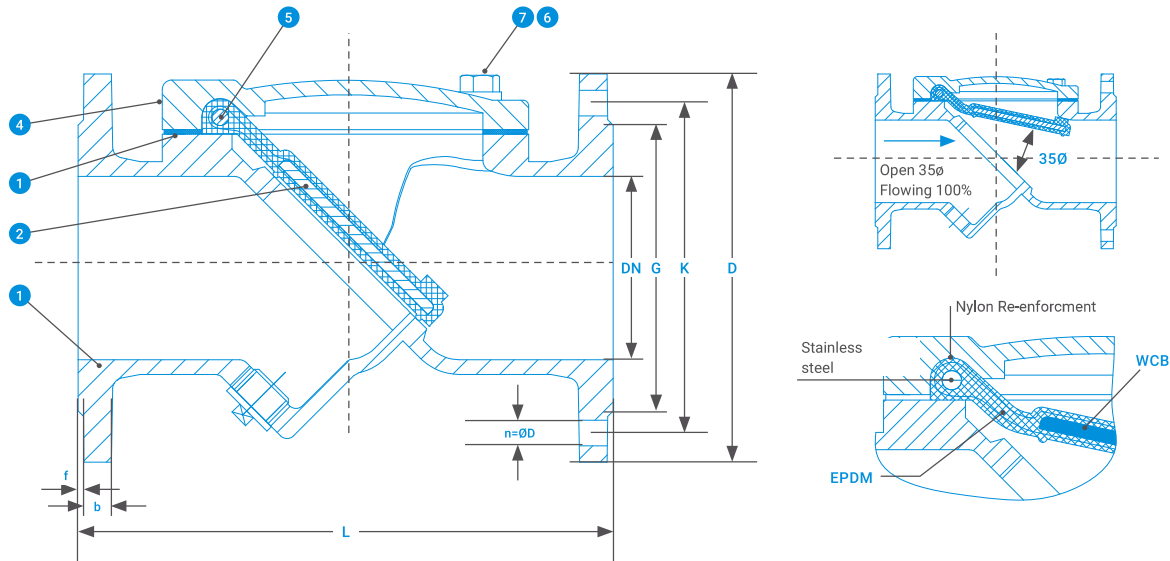
→ Material Specifications

For Double Flap

	Description	Material
1	Screw	Carbon steel
2	Sealing ring	EPDM
3	Shaft	SS316
4	Body	DI
5	Disc	CF8M
6	Spring	SS316
7	Gasket	PTFE
8	Gasket	PTFE
9	Seat	EPDM
10	Lifting ring	Carbon steel

→ Technical Dimensions

For Swing Check Valve



DN	L (mm)	D (mm)	G (mm)	B (mm)	F (mm)	kg	inch	PN10		PN16		ANSI150		BSTD	
								K	n-d	K	n-d	K	n-d	K	n-d
50	203	165	99	19	3	10,45	2"	125	4x19	125	4x19	121	4x19	114	4x18
65	216	185	118	19	3	13,6	2-1/2"	145	4x19	145	4x19	140	4x19	127	4x18
80	241	200	132	19	3	16	3"	160	8x19	160	8x19	152	4x19	146	4x18
100	292	220	156	19	3	21	4"	180	8x19	180	8x19	191	8x19	178	4x18
125	330	250	184	19	3	26	5"	210	8x19	210	8x19	216	8x22	210	4x18
150	356	285	211	19	3	36	6"	240	8x23	240	8x23	241	8x22	235	8x18
200	495	340	266	20	3	73	8"	295	8x23	295	12x23	298	8x22	292	8x18
250	622	405	319	22	3	120	10"	350	12x23	355	12x28	362	12x25	356	8x22
300	698	460	370	24.5	4	215	12"	400	12x23	410	12x28	432	12x25	406	12x22
350	787	520	429	26.5	4	230	14"	460	16x23	470	16x28	476	12x29	470	12x26
400	914	580	480	28	4	335	16"	515	16x28	525	16x31	540	16x29	521	12x26
450	978	640	548	30	4	401	18"	565	20x28	585	20x31	578	16x32	584	12x26
500	978	715	609	31.5	4	502	20"	620	20x28	650	20x34	635	20x32	641	16x26
600	1295	840	720	36	5	818	24"	725	20x31	770	20x37	749	20x35	756	16x30

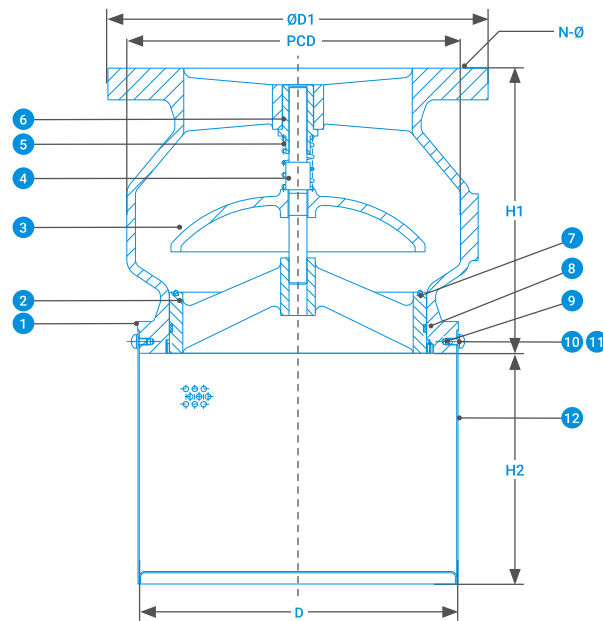
→ Material Specifications

For Swing Check Valve

#	Component	Material	Specification
1	Body	Ductile iron	GGG50
2	Seat	NBR	EN 681
3	Disc	WCB + NBR	WCB + NBR
4	Cover	Ductile iron	GGG50
5	Pin	Stainless steel	AISI 316
6	Screw	Stainless steel	AISI 316
7	Washer	Stainless steel	AISI 316
8	Nut	Ductile iron	GGG50

→ Technical Dimensions

For Foot Valve



Size	H1	H2	D	BS EN 1092-2 PN16		D1
				PCD	N-Ø	
2"	133	68	114	Ø125	4-Ø19	Ø165
2,5"	140	93	130	Ø145	4-Ø19	Ø185
3"	152	108	144	Ø160	8-Ø19	Ø200
4"	185	138	177	Ø180	8-Ø19	Ø220
5"	216	163	203	Ø210	8-Ø19	Ø250
6"	229	189	237	Ø240	8-Ø23	Ø285
8"	257	208	290	Ø295	12-Ø23	Ø340
10"	293	225	330	Ø355	12-Ø28	Ø405
12"	362	245	383	Ø410	12-Ø28	Ø460
14"	400	270	470	Ø470	16-Ø28	Ø520
16"	448	290	520	Ø525	16-Ø31	Ø580
18"	476	315	570	Ø585	20-Ø31	Ø640
20"	524	340	630	Ø650	20-Ø34	Ø715
24"	610	365	740	Ø770	20-Ø37	Ø840

→ Material Specifications

For Foot Valve

#	Description	Material
1	Body	DI
2	Seat	DI
3	Disc	DI
4	Stem	SS410
5	Spring	SS304
6	Bushing	ASTM B584
7	O-Ring	EPDM
8	O-Ring	EPDM
9	Screw	SS316
10	Screw	SS316
11	Washer	SS316
12	Screen	SS304

→ **Catalog Numbers**

for Check Valves

Description	Connection Type		
	ISO	ANSI	Wafer
CHECK VALVE 2" DOUBLE FLAP	-	-	71660-000800
CHECK VALVE 2" SWING	71660-000801	71660-000802	-
CHECK VALVE 2" FOOT	71660-000803	71660-000804	-
CHECK VALVE 3" DOUBLE FLAP	-	-	71660-000810
CHECK VALVE 3" SWING	71660-000811	71660-000812	-
CHECK VALVE 3" FOOT	71660-000813	71660-000814	-
CHECK VALVE 4" DOUBLE FLAP	-	-	71660-000820
CHECK VALVE 4" SWING	71660-000821	71660-000822	-
CHECK VALVE 4" FOOT	71660-000823	71660-000824	-
CHECK VALVE 6" DOUBLE FLAP	-	-	71660-000830
CHECK VALVE 6" SWING	71660-000831	71660-000832	-
CHECK VALVE 6" FOOT	71660-000833	71660-000834	-
CHECK VALVE 8" DOUBLE FLAP	-	-	71660-000840
CHECK VALVE 8" SWING	71660-000841	71660-000842	-
CHECK VALVE 8" FOOT	71660-000843	71660-000844	-
CHECK VALVE 10" DOUBLE FLAP			71660-000850
CHECK VALVE 10" SWING	71660-000851	71660-000852	-
CHECK VALVE 10" FOOT	71660-000853	71660-000854	-
CHECK VALVE 12" DOUBLE FLAP			71660-000860
CHECK VALVE 12" SWING	71660-000861	71660-000862	-
CHECK VALVE 12" FOOT	71660-000863	71660-000864	-

* Additional diameters, materials and specifications are available upon request